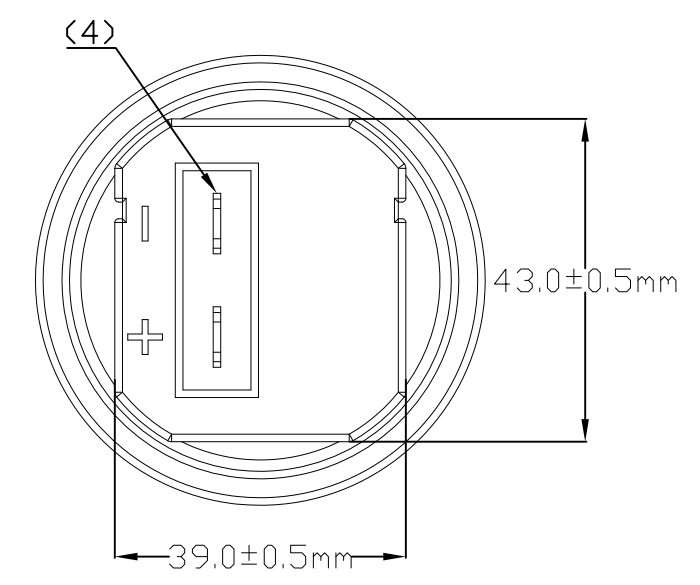
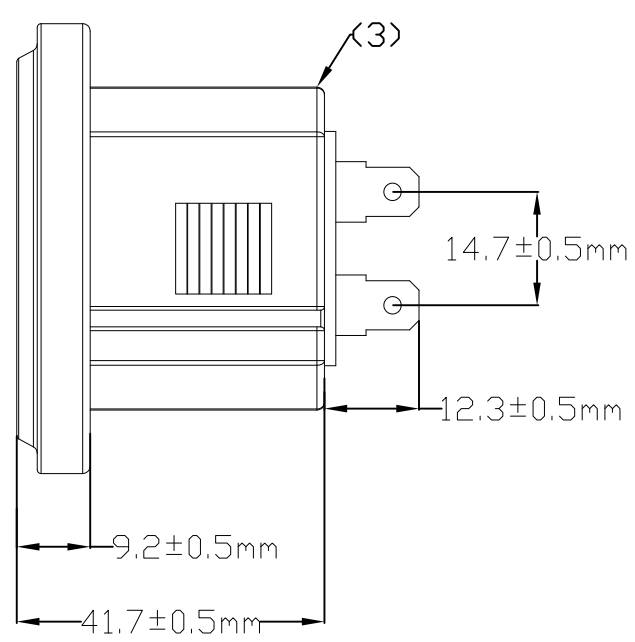
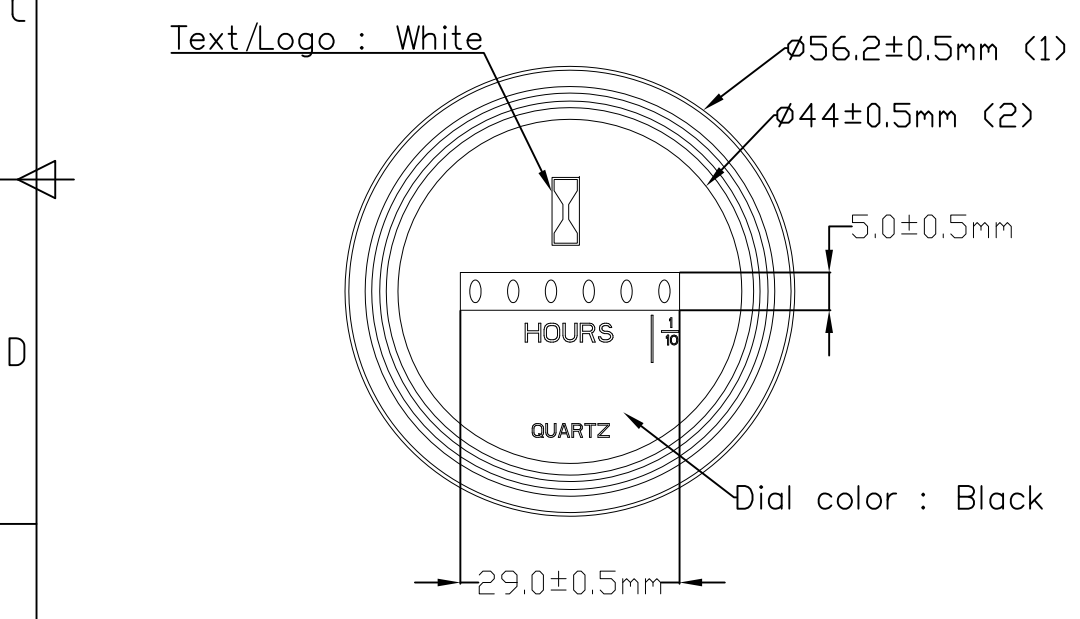


RevNo	Revision note	Date	Signature	Checked
A				

- NOTES:
1. Operating voltage : DC 8–80V
 2. Check voltage : 12.0V±0.1V
 3. Check temp °C : 20°C±5°C
 4. Operating temperature : -20°C to 65°C
 5. Power consumption : 11mA
 6. Display range : 99999.9, 0.1=6Min
 7. Timing cannot be reset to zero
 8. Ingress Protection Ratings : IP67



UNIT: mm

瑞克儀錶有限公司 RICO Instrument Co., Ltd.

NO.	PART NAME	DESCRIPTION	COLOR	Q'TY	REMARKS
4	Socket	Copper	Silver	2	
3	Housing	ABS	Black	1	
2	Lens	PC	Transparent	1	Visual Area
1	Bezel	Aluminium	Black	1	

FILE NAME	B02-H009 Datasheet.dwg	SHEET	SCALE
SIZE	56.2mm X 54mm		1:1
DRAWN	05/05/2022		
CHECK			
APPR.	05/05/2022		
ISSUED	05/05/2022		
REV	A	DWG NO	
CONTRACT NO			B02-H009 - A